

JACK

China No.1

Shanghai stock
listed



360 Degree Needle Bar Rotation Pattern Sewing Machine No reverse stitch, Perfect quality



MX-100A

MX-100A

Item: 360 Degree Needle Bar Rotation Pattern Sewing Machine
Features: No reverse stitch, Perfect quality



1 No Reverse Stitch, Perfect Quality

Needle bar&hook can rotate synchronously without limitations, which can achieve smooth sewing stitch any time and avoid different stitches during reverse sewing, thread broken, thread cutting problems etc. It can achieve beautiful stitches and improve more than 30% efficiency



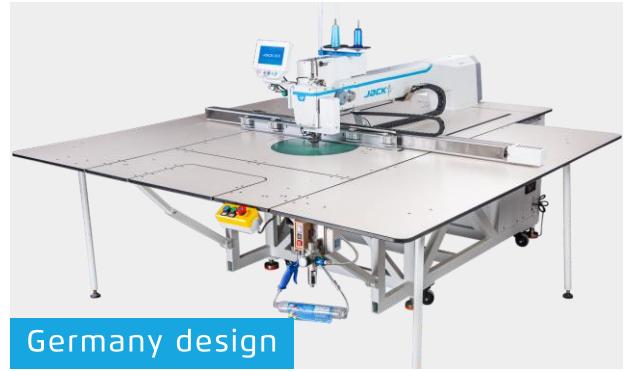
3 Super Large Sewing Area

Efficient sewing area 1400×950mm can basically satisfy all garment



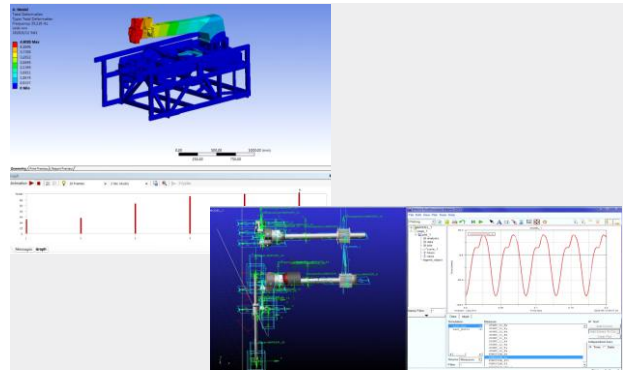
5 Shifted Folding Table, Easy To Assemble&transfer

Compact plate can be folded&shifted, easy to pack&assemble, Smooth table avoids damaging plate, Save transferring cost, More convenient to pack&assemble, Adding folded table design for easy operation



2 Germany Design

The machine head inherits the Jack family DNA, German industrial design, excellent workmanship, extreme details, beautiful appearance, simple and atmospheric



4 Soft Voice, Low Vibration

Finite-element artificial software and dynamic balance analysis software is adopted to ensure workers can be way from working speed range to the maximum and enjoy more comfortable workshop environment with its low vibration&soft voice advantages



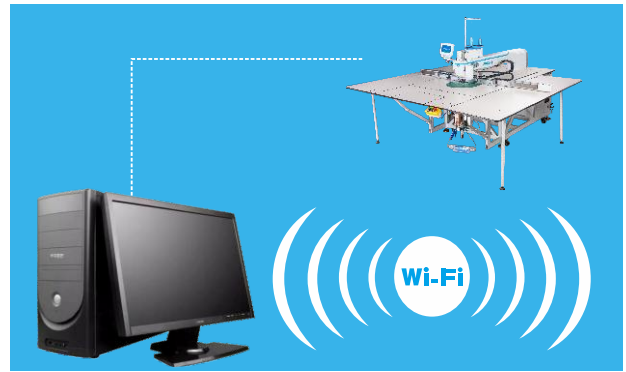
6 Smart Middle Presser Foot Enables Perfect Sewing

The middle presser foot is perfectly coordinated with the needle movement to improve filler leakage and thread broken problem



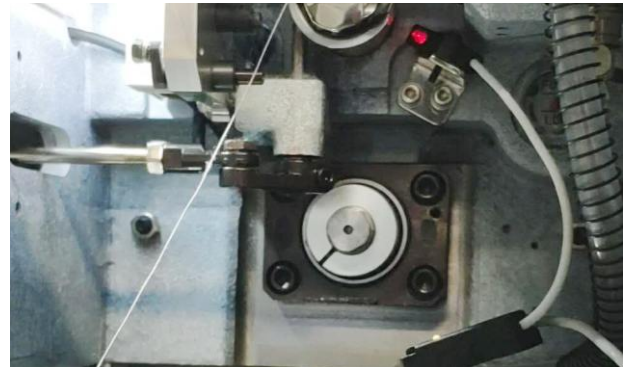
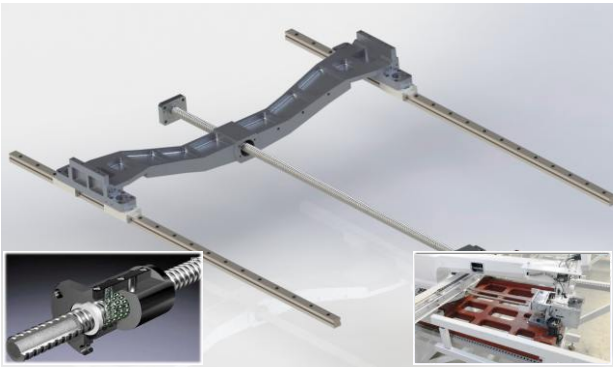
7 Smart Plate Recognition, Precisely Save Power

FRID radio technology can recognize plate limitless with 100% precision



8 Remote Control Service, Without Operation Worries

It can achieve remotely failure diagnose, software upgrading, pattern transferring functions



9 Screw Drive Feeding, Precise&stable

Imported screw drive feeding parts was adopted in X&Y direction with high precision, which can achieve more precise&stable feeding performance. Machine head is more stable by its complete welding technology and big sewing base. Belt drive is alternative for X direction

10 Bottom Thread Detection Function, Save Thread&fabric

Jack patented bottom thread detection device can monitor bobbin thread remaining amount and alarm, and machine can cut thread and stop automatic, which operators can replace bobbin timely before the thread runs out and it can avoid fabric waste

Specification

Model	Purpose	Needle	Needle No.	Thread No.	Sewing Area (mm)	Middle Presser Foot Height (mm)	Needle Gauge (mm)	Max.Speed (S.p.m)	Volume (mm)	Weight (kg)
MX-100A+-95SSYX-F13 (Two directions screw drive)	Plate sewing	DP×5 DP×17	1	2	1400×950	15	1-12.7	2800	2350×1340×1535	742/845
MX-100A+-95STYX-F13 (One direction screw drive)	Plate sewing	DP×5 DP×17	1	2	1400×950	15	1-12.7	2800	2350×1340×1535	742/845

Note: standard IOT function; standard F13 bottom thread detection;

Alternative device--F16: pointing device, F17: laser purifying device, F11A: laser cutting device, F11B: high power laser cutting device



Jack Wechat



Jack Facebook

2020.12

JACK SEWING MACHINE CO.,LTD.

No.1008, Donghai Avenue East, jiaojiang District, Taizhou City, Zhejiang
TEL: 0086-576-88177782 88177767
FAX: 0086-576-88177787

E-mail: sales@chinajack.com
www.chinajack.com